

**SUBMITTAL SHEET**

JOB NAME	ITEM TAG
JOB LOCATION	PART NUMBER
CONTRACTOR	DATE
ENGINEER APPROVAL	DATE

**ABS SCHEDULE 80 BALL VALVE**

**Model S-607**

- Pressure rating: 150 W.O.G. At 73°F
- Maximum service temperature: 180°F



*Pictured S-607*

**Working Pressure, Non Shock (PSI)**

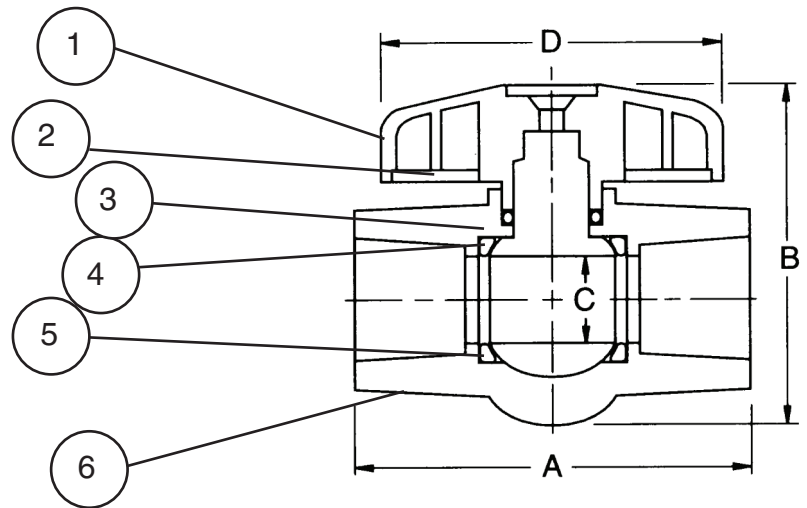
Cold working pressure (CWP): 150 PSI

**DIMENSIONS**

Size	A	B	C	D
1/2"	3.26	2.46	0.55	3.12
3/4"	3.79	3.10	0.77	3.54
1"	4.17	3.72	0.97	3.96
1-1/4"	4.25	3.96	1.14	3.96
1-1/2"	5.11	4.54	1.42	4.29
2"	5.79	5.31	1.83	5.30

**MATERIAL SPECIFICATION**

PART	MATERIAL
1 Handle	ABS
2 Stem	CPVC
3 O-ring	EPDM
4 Seats	EPDM
5 Ball	CPVC
6 Body	CPVC



*Pictured S-607 Cut-away*